



Madvac<sup>®</sup> CN100 – Compact Sweeper with High Dump

# The Madvac® CN100 Advantage

## Visibility and Comfort

- Unprecedented visibility from the operator seat includes view of brushes plus 200-degree rear view to ensure driver peace-of-mind and pedestrian safety.
- Sound-proofed, low vibration, ergonomic cab with adjustable seat, heater, and optional AC, keeps operator comfortable and less fatigued.
- Pop-up roof adds to driver comfort.
- Heavy-duty all-wheel suspension provides better traction, more comfort and a safer ride.
- Optional rear camera system for added safety in heavy pedestrian traffic areas.
- Visibility and comfort.



**ABOVE**  
CN100 Internal Fan & Airflow  
**BELOW**  
Stainless steel hopper  
gives 60" dumping height

## Easy to Operate and Maintain

- Many automated functions make it easy to learn and drive.
- Molded ergo armrest places controls at operator's fingertips.
- Total access to control panels make maintenance simple.
- Water spraying jets by the brushes provide dust control in sensitive working areas.

## Lightweight, Compact and Maneuverable

- Low overall height of 78" (1981 mm) is ideal for tree-lined areas and parking garages.
- Variable 44" (1118 mm) sweep path with extended reach to 89" (2261 mm) for easy cleaning of tight and wide areas.
- Sharp turning radius, easy steering, joystick controlled fully articulating brushes make handling and control effortless.
- Narrow 43" (1092 mm) width and lightweight to clean difficult and delicate areas.



### FAR LEFT

Cab comfort and panoramic view makes sweeping easy and safe.

### CENTER

Ergonomically located, joystick controlled, fully articulating brushes collect hard-to-reach debris leaving a spotless path.

### RIGHT

Low height gives working access to underground garages, tree-lined roads and mass transit shelters.

## Efficient and Productive

- Up to 16 mph (25 km/h) road speed allows vehicle to cover more area in less time.
- Patented straight-through suction system sweeps, vacuums and compacts debris without passing through or wearing out the fan.
- High-capacity 1.15 cu. yd. (0.85 m<sup>3</sup>), high-dump hopper keeps sweeper working longer.
- Large water capacity for fewer fill ups and longer shifts.
- Powerful variable vacuum cleans rough and delicate surfaces such as brick, cobblestones, bike paths and others.

## Built to Last

- All welded heavy gauge structural steel frame is built to last.
- Stainless steel debris container resists abrasion and corrosion to protect investment.



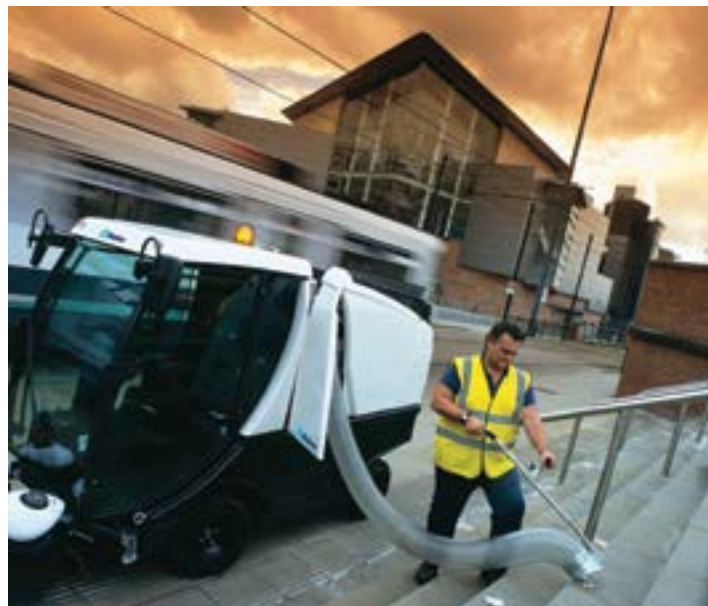
The CN100 goes anywhere and brings a high profile approach to cost-effective sweeping. Lightweight enough to move over pavers and does not disturb environmental areas.

## Environmentally-Friendly

- Advanced 8-micron filter keeps pedestrians and the environment clean. (option)
- Water spraying jets at each brush for dust control in sensitive working areas.
- Adjustable, fully articulating brushes collect hard-to-reach debris leaving a spotless path.
- Powerful and reliable low-emission 31.5 HP diesel engine.

## Clean and Safe

- A huge, three-stage, 8-micron dust filtration system captures the finest particles to provide ultimate cleanliness for operator and pedestrians. (option)
- Exceptional operator visibility for superior sweeping safety.
- Easy curb-climbing makes transition from street to sidewalk safer.



### ABOVE

Wanderhose for hard-to-reach tree wells, litter receptacles, between cars, telephone booths and bus shelters. (option)

### RIGHT

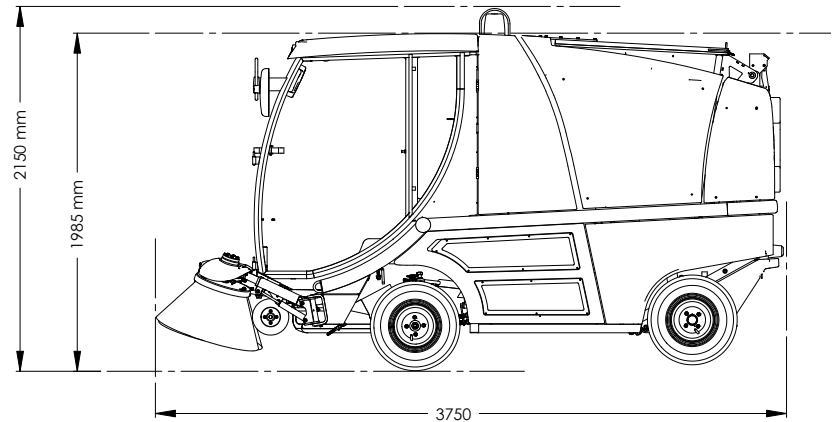
Supawash system for versatile cleaning of street furniture. (option)



# Madvac<sup>®</sup> CN100

## Compact Sweeper with High Dump

### Technical Specifications



## Data and Performance Information

<b>Capacities</b>		<b>Sweep Gear</b>	
Fuel tank	10.5 Gal. (40 L) 12 hours autonomy	Brushes	Two brushes (independently joy-stick controlled) 25 inches DIA each (635 mm) Polypropylene
Hydraulic System	17.2 US gallons (65 Liters)	Sweeping Width	From 44 inches (1118 mm) to 89 inches (2261 mm)
Litter Capacity	1.15 cu. Yd (0.85 m <sup>3</sup> ) compaction	Pick Up Nozzle	Hydraulic raise/lower and polymer skate
Water capacity	40 Gal. (150 L) Polyethylene water tanks	Brush Speed	30 RPM to 790 RPM
<b>Engine Data</b>		Brush Arm	Self leveling and self adjustable for brush wear
Model	Kubota Diesel D1105T Turbo	<b>Electrical</b>	
Displacement	68.53 cubic inches (1123 cc)	Voltage	12 Volts, 105 AMP alternator and heavy duty battery
Gross Rated Power	31.5 hp (23,5 KW) @ 3000 rpm	Instruments	Ammeter, hour, fuel, oil pressure, water temperature gauges
Legislation Compliance	EPA Tier 4 / Euro 4	Lighting	2 headlights, brakes, turn signals and taillights, 4-way flashers, fold-down beacon
Air Filter	2 stage Donaldson type	<b>Cab</b>	
<b>Litter Collection System</b>		Cab	Forward design, 200 degree vision
Type	"Flow-trough" system with approx. 2:1 compaction ratio	Windshield	Full windshield, optional electric windshield
Frame / Body	Heavy gauge steel body 1.5 in x 1.5 in (38 mm x 38 mm) tubing fully welded and reinforced at all stress points	Steering	Adjustable steering column
Container Construction	Stainless steel, powder coated	Window	Side windows open on each side
Container Dumping Height	60 inches (1524 mm)	Roof	Pop-up vent roof
<b>Vacuum System</b>		Heating	2-speed heater
Vacuum Rating	2900 CFM (82.12 CMM)	Air Conditioning	3-speed air conditioning (option)
Static Pressure	30 inches water gauge (7.472 KPA)	<b>Dust Management</b>	
<b>Traction</b>		Dust Control	Three stage 8-micron washable pleated panel filters (option)
Drive	Front wheel drive	<b>Dimensions</b>	
Maximum Forward Speed	16 mph (25 Km/H)	Width	43 inches (1092 mm)
Tires	6.00-9, 10 ply	Length	147.6 inches (3750 mm)
Brakes	Hydrostatic brakes on front wheels, disc brakes on rear wheels and hand parking brakes	Height	78 inches (1981 mm)
Grade	Grad ability 25%	Wheelbase	65 inches (1651 mm)
Curb Weight	Dry 3590 Lbs (1,632 Kg)	Ground Clearance	8 inches (203 mm)
Weight Distribution	Front 63% / Rear 37%	<b>Suspension</b>	
		Front	Leaf springs with stabilizer bars
		Rear	Coil springs and shock absorbers

**exprolink**

[www.exprolink.com](http://www.exprolink.com)

**Montreal Office:**  
667, Giffard Street  
Longueuil (Quebec)  
CANADA J4G 1Y3

**Toll Free 1 855 651-0444**  
Tel. 450 651-0444  
Fax. 450 651-0447